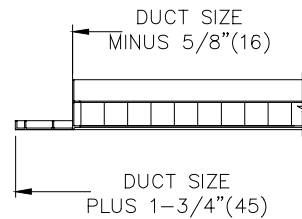
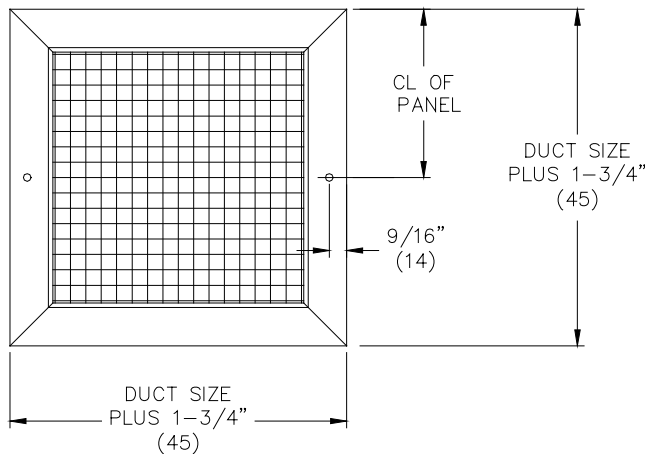


JOB NAME _____
 ARCHITECT _____
 ENGINEER _____
 CONTRACTOR _____
 LOCATION _____

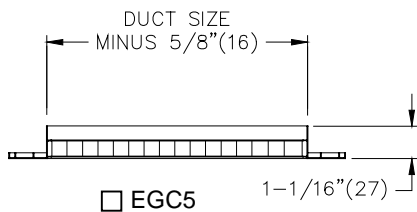
SUBMITTAL SHEET
 Form Number GS0208.1 Effective Date 8/99
 Replaces GS0208



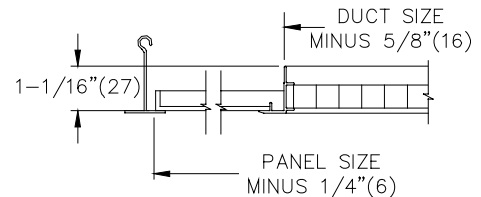
EGC5 SERIES
Eggcrate Grille, 1/2" X 1/2" X 1/2" grid



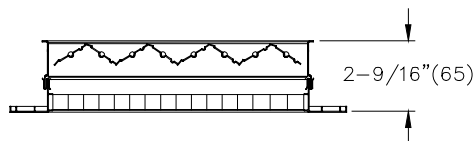
- F22 (Aluminum Frame)
- S22 (Steel Frame)



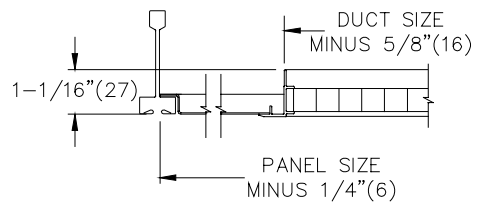
EGC5



- F23 (Aluminum Frame)
- S23 (Steel Frame)



EGC5 OBD



- F98 (Aluminum Frame)

NOTES:

1. Frame 22 shown. See frame style detail for frame dimensions.
2. Aluminum Eggcrate Core.
3. Standard finish 44 British white.
4. Dimensions are in inches.
5. Dimension in parenthesis are in mm.
6. Available neck size 6 x 6 to 48 x 48.
7. Eggcrate dimensions 1/2" x 1/2" x 1/2" (13 x 13 x 13).

ACCESSORIES:

- Steel opposed blade damper - Model OBD
- Aluminum opposed blade damper - Model 5OBD

STD PANEL SIZES:
12" x 12" (305 x 305)
24" x 12" (610 x 305)
24" x 24" (610 x 610)
48" x 24" (1219 x 610)
48" x 48" (1219 x 1219)

Product Information is Subject to Change Without Notice